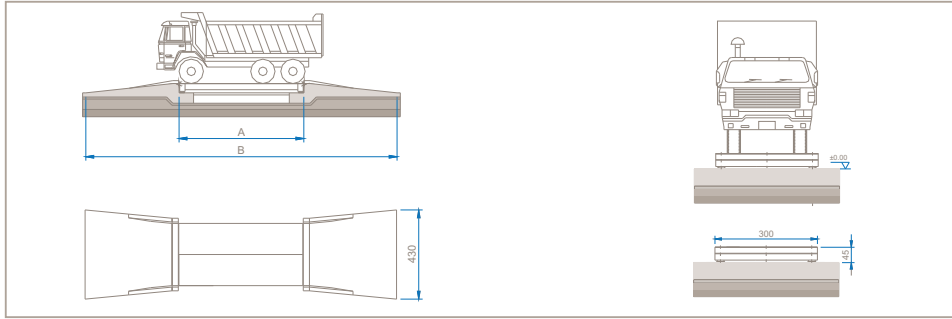


Type HI-S



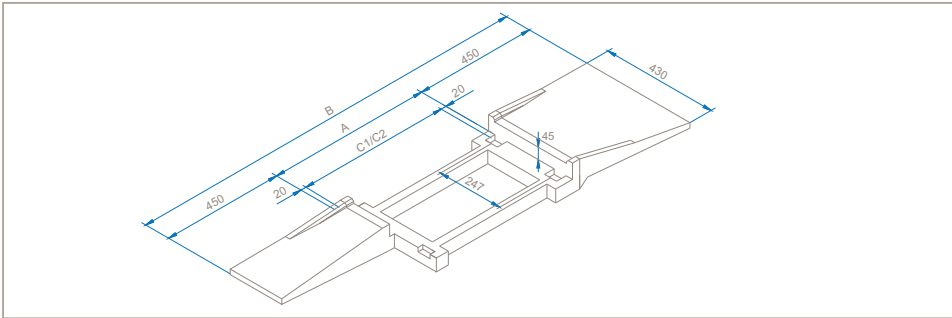
Overall dimensions of HI-S model Scale with 4 load cells

(Elevation values are in meters, others centimeters)



Type	A	B	-	-	-	-	-	-	Number of load cells	Weight kg (±%10)
040T-HI/S-0304-PWIT	403	1303							4	2700
040T-HI/S-0306-PWIT	603	1503						3550		
060T-HI/S-0304-PWIT	403	1303						2700		
060T-HI/S-0306-PWIT	603	1503						3550		

Dimensions for Reinforced concrete infrastructure of an HI-S model Scale with 4 load cells



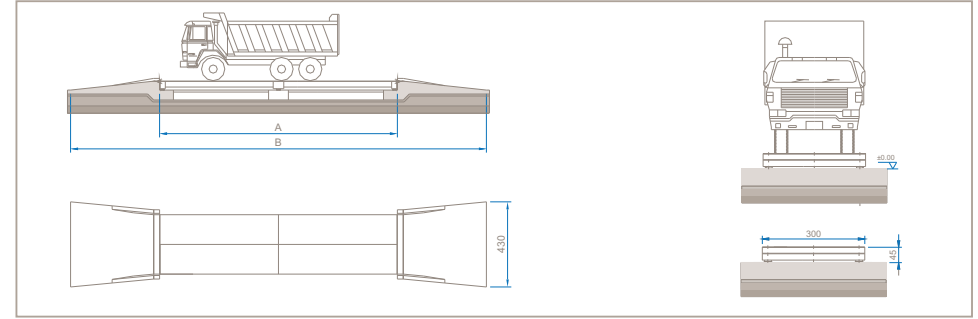
Type	A	B	C1	C2	C3	C4	C5	C6	D	-	Excavation m³	Concrete m³	Iron kg (±%10)
040T-HI/S-0304-PWIT	403	1303	363	-							42	19	800
040T-HI/S-0306-PWIT	603	1503	-	563							48	20	871
060T-HI/S-0304-PWIT	403	1303	363	-							42	19	800
060T-HI/S-0306-PWIT	603	1503	-	563							48	20	871

Type HI-S



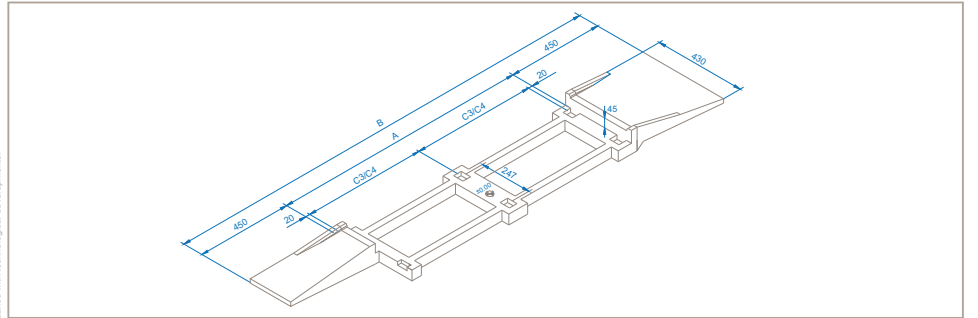
Overall dimensions of HI-S model Scale with 6 load cells

(Elevation values are in meters, others centimeters)



Type	A	B	-	-	-	-	-	-	Number of load cells	Weight kg (±%10)
040T-HI/S-0308-PWIT	802	1702							6	5250
040T-HI/S-0310-PWIT	1002	1902						6100		
060T-HI/S-0308-PWIT	802	1702						5250		
060T-HI/S-0310-PWIT	1002	1902						6100		
060T-HI/S-0312-PWIT	1202	2102						6900		

Dimensions for Reinforced concrete infrastructure of an HI-S model Scale with 6 load cells



Type	A	B	C1	C2	C3	C4	C5	C6	D	-	Excavation m³	Concrete m³	Iron kg (±%10)
040T-HI/S-0308-PWIT	802	1702									56		965
040T-HI/S-0310-PWIT	1002	1902									61	22	1072
060T-HI/S-0308-PWIT	804	1702	-	-	381	581	-	-	-	-	56		965
060T-HI/S-0310-PWIT	1002	1902									61		1072
060T-HI/S-0312-PWIT	1202	2102									68	23	1120

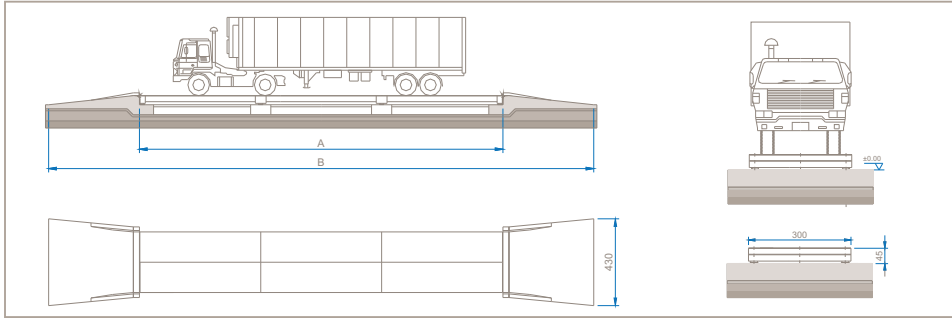


Type HI-S

ESIT

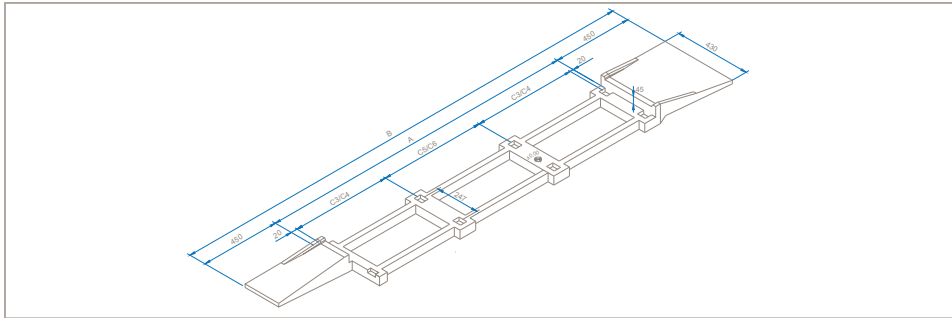
(Elevation values are in meters, others centimeters)

Overall dimensions of HI-S model Scale with 8 load cells



Type	A	B	-	-	-	-	Number of load cells	Weight kg (±%10)
060T-HI/S-0314-PWIT	1401	2301					8	8500
060T-HI/S-0316-PWIT	1601	2501						9350
060T-HI/S-0318-PWIT	1801	2701						10200
080T-HI/S-0314-PWIT	1401	2301						9300
080T-HI/S-0316-PWIT	1601	2501						10250
080T-HI/S-0318-PWIT	1801	2701						11200
100T-HI/S-0316-PWIT	1601	2501						10750
100T-HI/S-0318-PWIT	1801	2701						11550

Dimensions for Reinforced concrete infrastructure of an HI-S model Scale with 8 load cells



Type	A	B	C1	C2	C3	C4	C5	C6	D	-	Excavation m ²	Concrete m ³	Iron kg (±%10)
060T-HI/S-0314-PWIT	1401	2301			381	-	-	599			75	25	1277
060T-HI/S-0316-PWIT	1601	2501			-	581	399	-			80	26	1331
060T-HI/S-0318-PWIT	1801	2701					-	599			86	26	1375
080T-HI/S-0314-PWIT	1401	2301			381	-	-	599			75	25	1277
080T-HI/S-0316-PWIT	1601	2501					399	-			80	26	1331
080T-HI/S-0318-PWIT	1801	2701					-	599			86	26	1375
100T-HI/S-0316-PWIT	1601	2501					399	-			80	25	1331
100T-HI/S-0318-PWIT	1801	2701					-	599			86	26	1375

Esit reserves the right to modify, without prior notice, the products in accordance with technological developments.

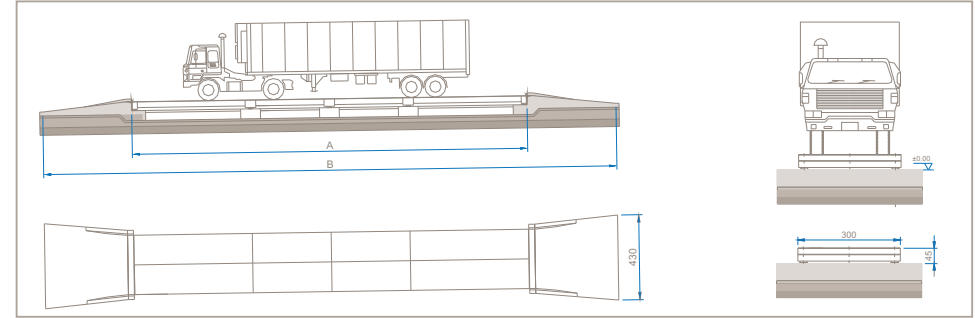
ESIT

Type HI-S

ESIT

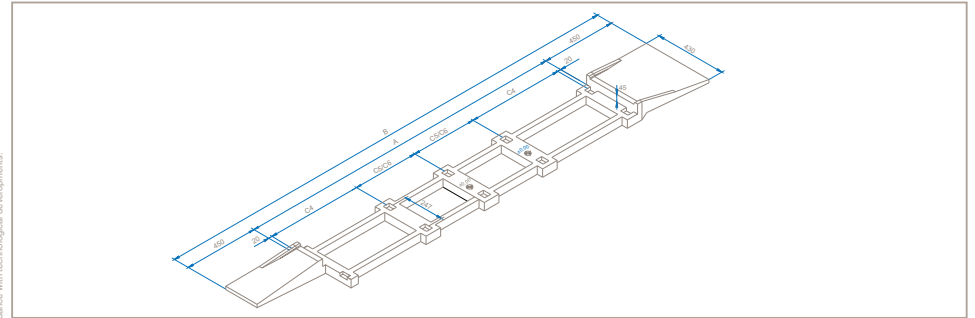
(Elevation values are in meters, others centimeters)

Overall dimensions of HI-S model Scale with 10 load cells



Type	A	B	-	-	-	Number of load cells	Weight kg (±%10)
060T-HI/S-0320-PWIT	2000	2900				10	11800
060T-HI/S-0322-PWIT	2200	3100					12650
060T-HI/S-0324-PWIT	2400	3300					13500
080T-HI/S-0320-PWIT	2000	2900					12900
080T-HI/S-0322-PWIT	2200	3100					13850
080T-HI/S-0324-PWIT	2400	3300					14800
100T-HI/S-0320-PWIT	2000	2900					13500
100T-HI/S-0322-PWIT	2200	3100					14500
100T-HI/S-0324-PWIT	2400	3300					15500

Dimensions for Reinforced concrete infrastructure of an HI-S model Scale with 10 load cells



Type	A	B	C1	C2	C3	C4	C5	C6	D	-	Excavation m ²	Concrete m ³	Iron kg (±%10)
060T-HI/S-0320-PWIT	2000	2900					399	-			93	28	1555
060T-HI/S-0322-PWIT	2200	3100					-	599			100	29	1587
060T-HI/S-0324-PWIT	2400	3300						-			106	30	1645
080T-HI/S-0320-PWIT	2000	2900					399	-			93	28	1555
080T-HI/S-0322-PWIT	2200	3100				581	-	599			100	29	1587
080T-HI/S-0324-PWIT	2400	3300						-			106	30	1645
100T-HI/S-0320-PWIT	2000	2900					399	-			93	28	1555
100T-HI/S-0322-PWIT	2200	3100					-	599			100	29	1587
100T-HI/S-0324-PWIT	2400	3300						-			106	30	1645

Esit reserves the right to modify, without prior notice, the products in accordance with technological developments.

ESIT