

Type AR



Technical Specifications

Type	Nominal capacity (ton)	Minimum capacity (kg)	Division e=d (kg)	Platform dimension (m)	Platform material	Number of load cells	Load cell type	Junction box	Indicator
030T-AR-0933-PWIT	30	200	10	90x330	Steel	4	SC / CA	J-4	PWI-T

Load Cells**	
Type	SC / CA
Protection class	IP 68
Mounting kits	SC-EL
Operating temperature range	-10°C ... +40°C
Storing temperature range	-40°C ... +80°C
Indicator***	
Type	PWI-T
Protection class	IP 54
Operating voltage and power	90-265VAC, 60W
Storing temperature range	-10°C ... +40°C
Junction Box	
Protection class	IP 66
Material	Aluminum
Environment	
Operating temperature range	-10°C ... +40°C
Storing temperature range	-40°C ... +80°C
Operating power and voltage	<300W (monitor & printer), 220VAC

** For detailed information about load cells and mounting accessories used in vehicle scales, please refer to ESIT's Load Cells and Mounting Kits Catalog.
 *** For detailed information about indicators used in vehicle scales, please refer to ESIT's Indicators and Controllers Catalog.

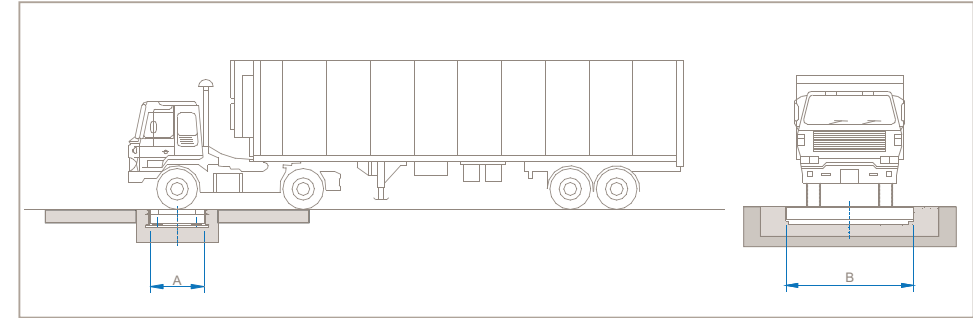


Type AR



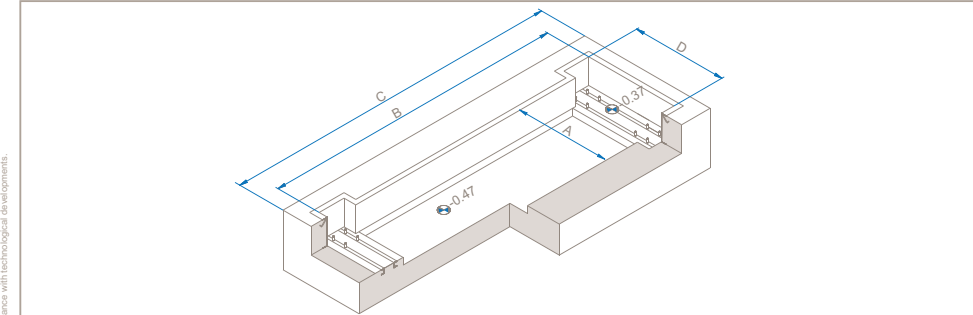
(Elevation values are in meters, others centimeters)

Overall dimensions of AR model Scale with 4 load cells



Type	A	B	C	-	-	-	Number of load cells	Crossband connection	Coating plate steel	Main beam	Weight kg (±%10)
030T-AR-0933-PWIT	90	330	-	-	-	-	4	NPI 200	10mm	NPU 200	1250

Dimensions for Reinforced concrete infrastructure of an AR model Scale with 4 load cells



Type	A	B	C	D	-	-	-	-	-	-	Excavation m³	Concrete m³	Iron kg (±%10)
030T-AR-0933-PWIT	92	330	402	127	-	-	-	-	-	-	61	59	2495

Esit reserves the right to modify, without prior notice, the products in accordance with technological developments.

